

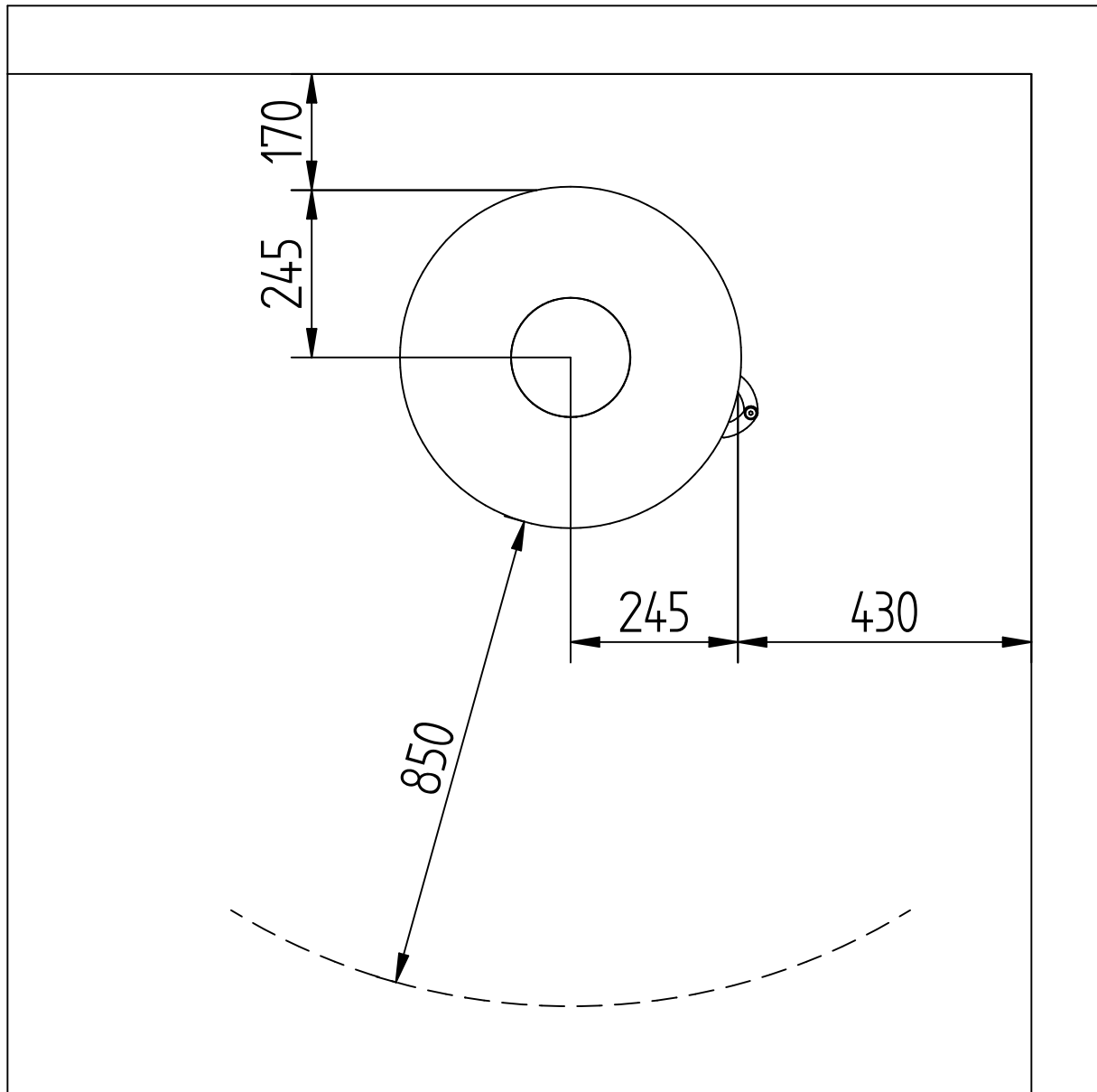
Model:

Omega

Sheet/Sheets:

1 / 2

## Straight behind - with and without insulated flues



ACC EN13240

Test report: 39-10516-T

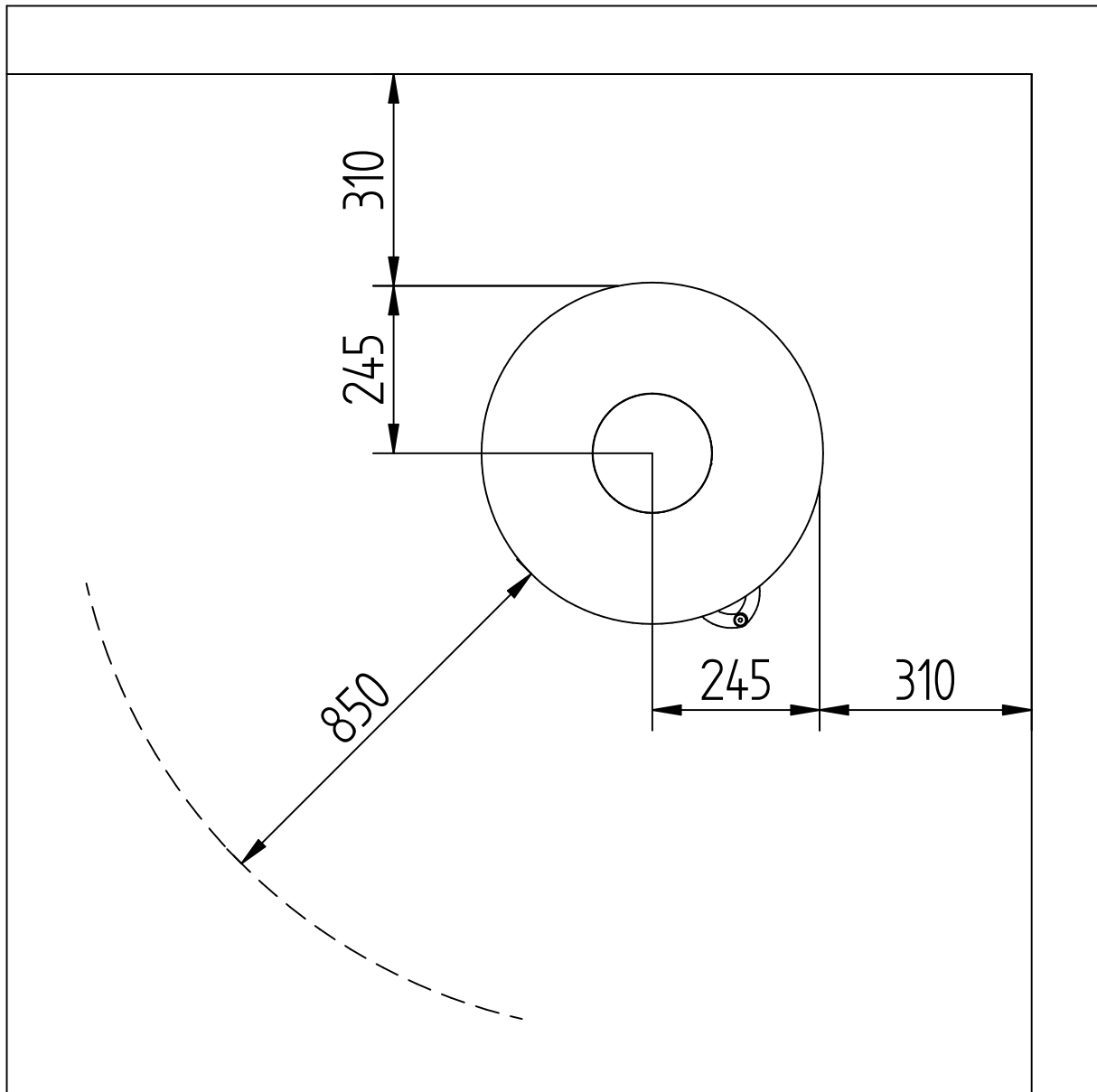
Model:

Omega

Sheet/Sheets:

2 / 2

## Corner - with and without insulated flues



ACC EN13240

Test report: 39-10516-T