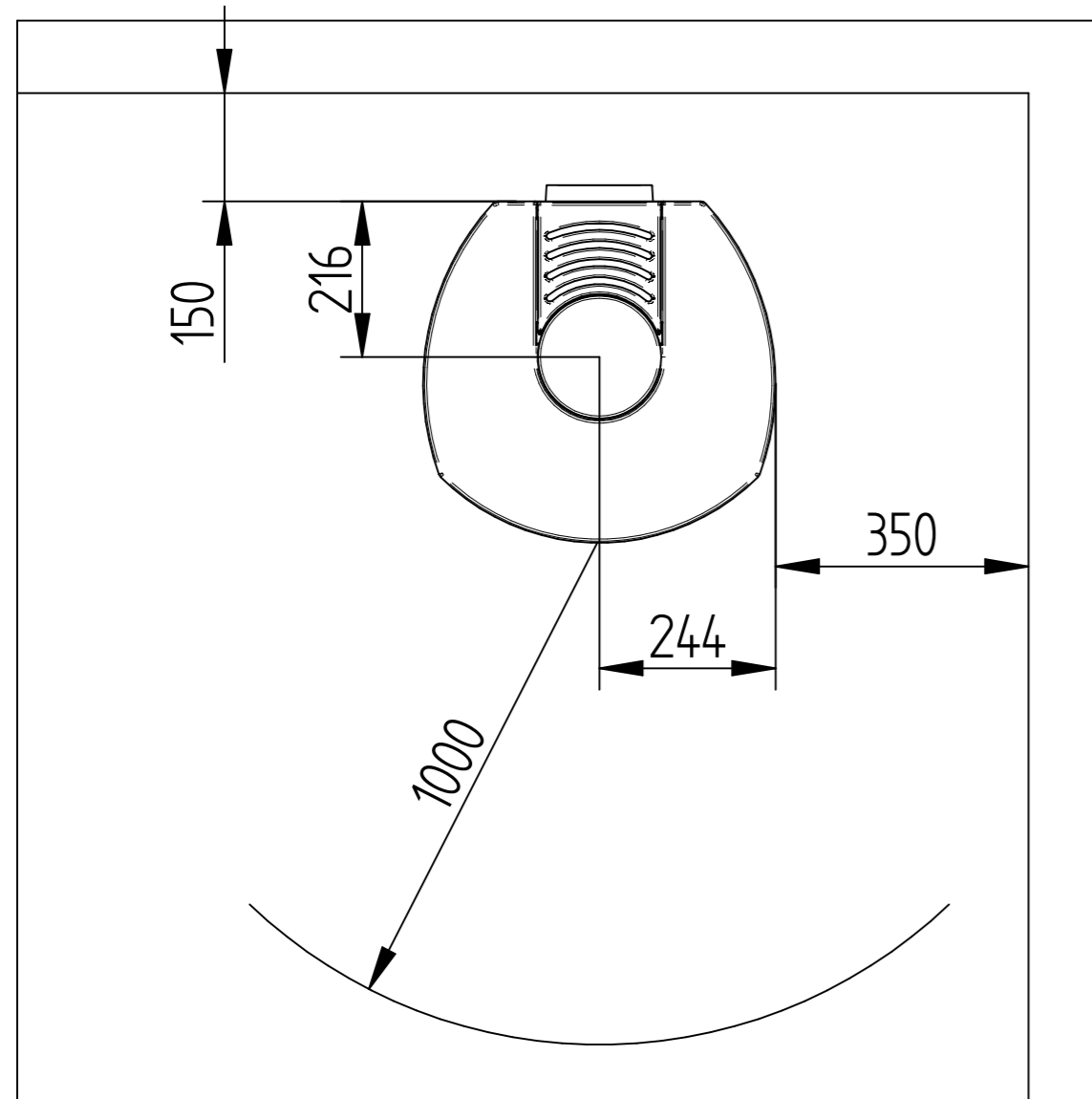
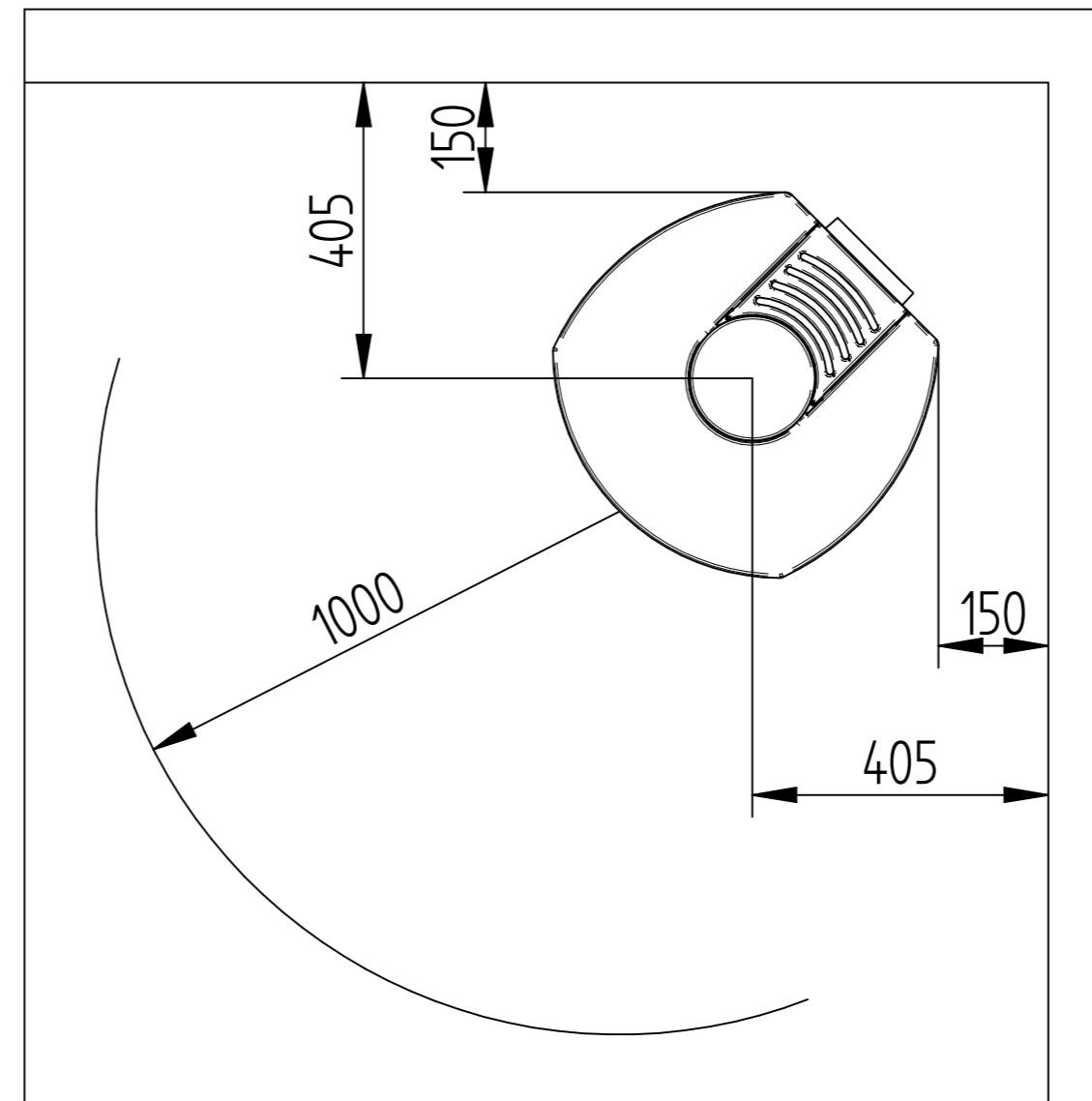


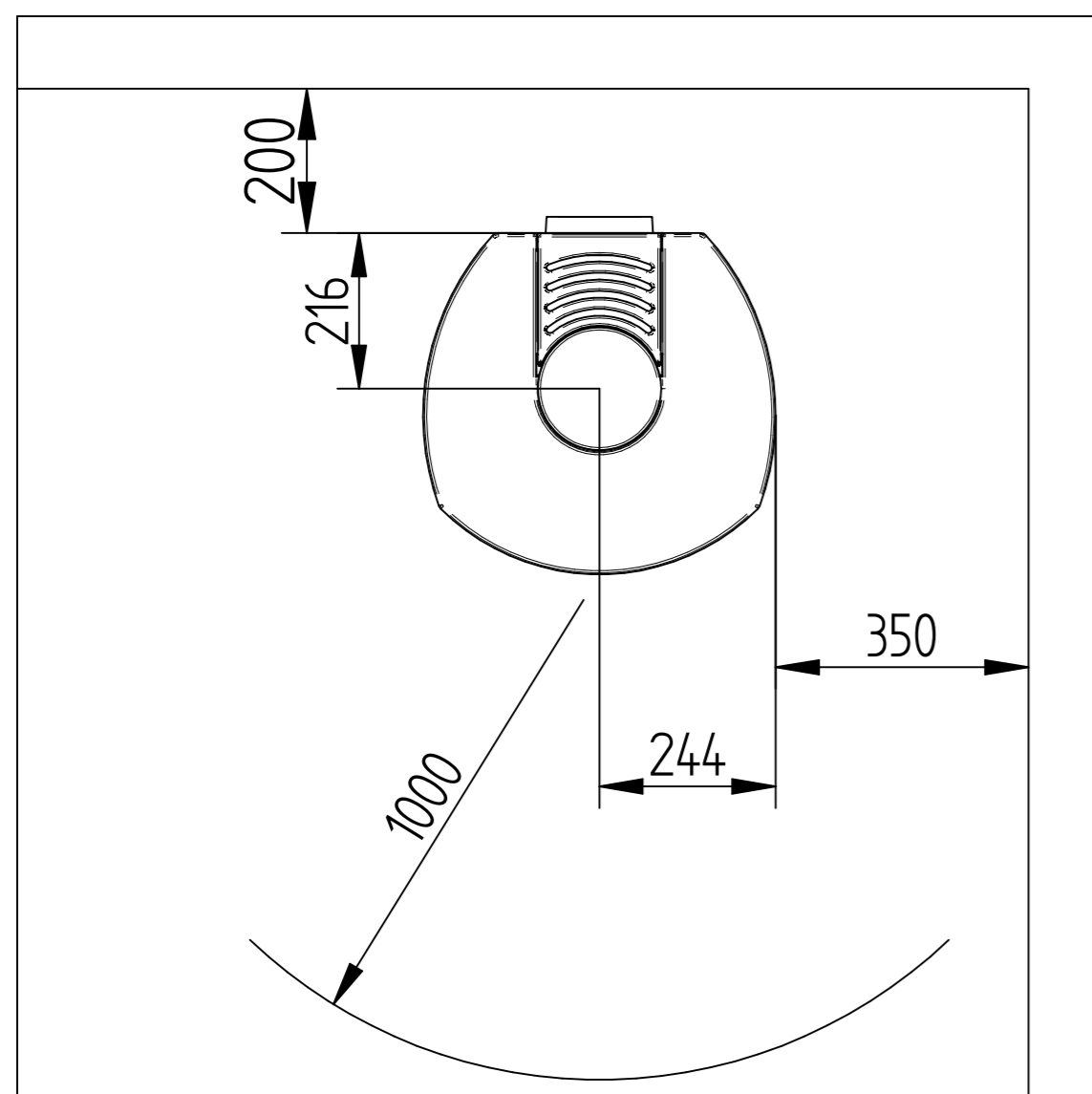
Distance to combustible with insulated flues



Distance to combustible with insulated flues



Distance to combustible without insulated flues



Distance to combustible without insulated flues

